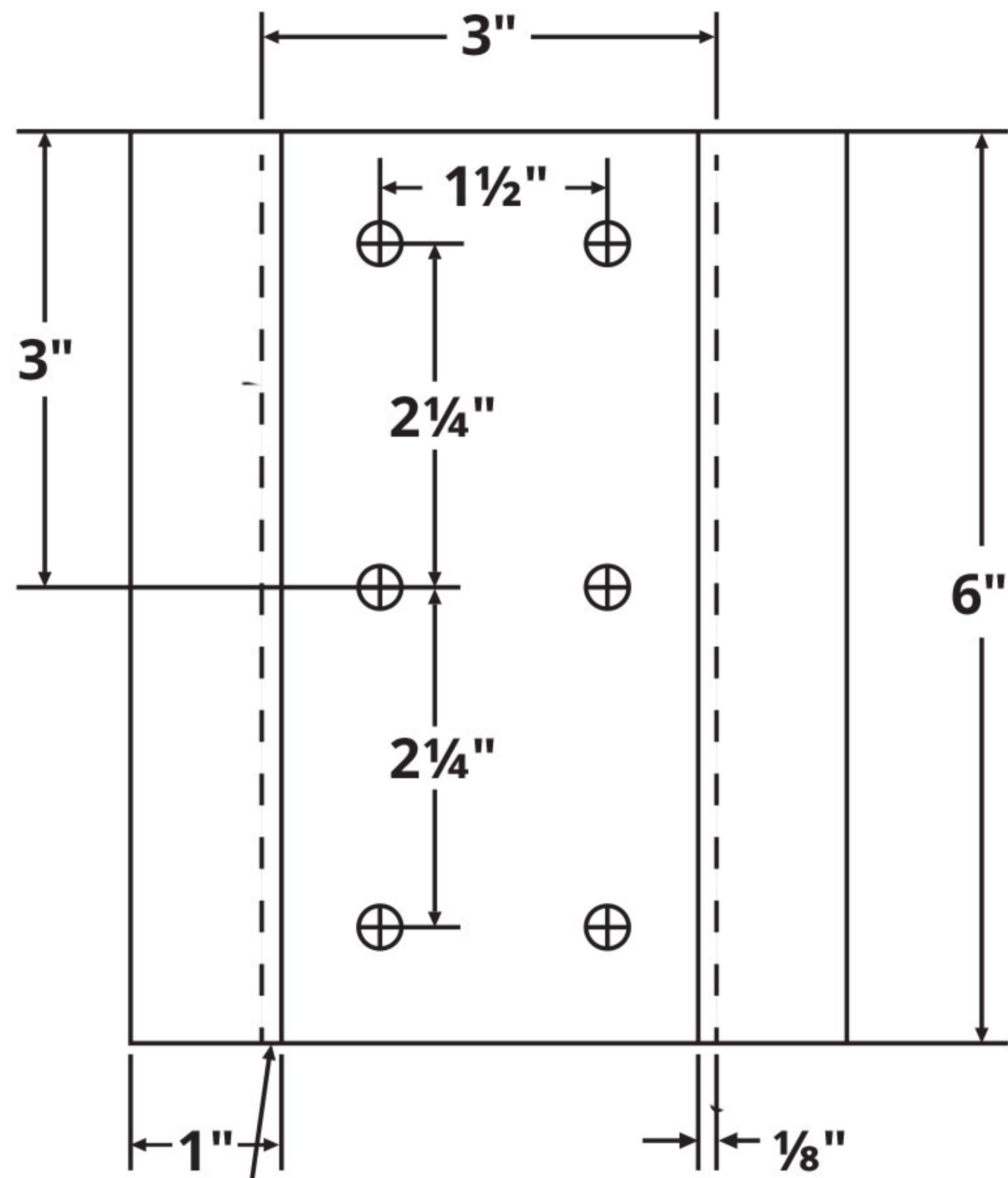
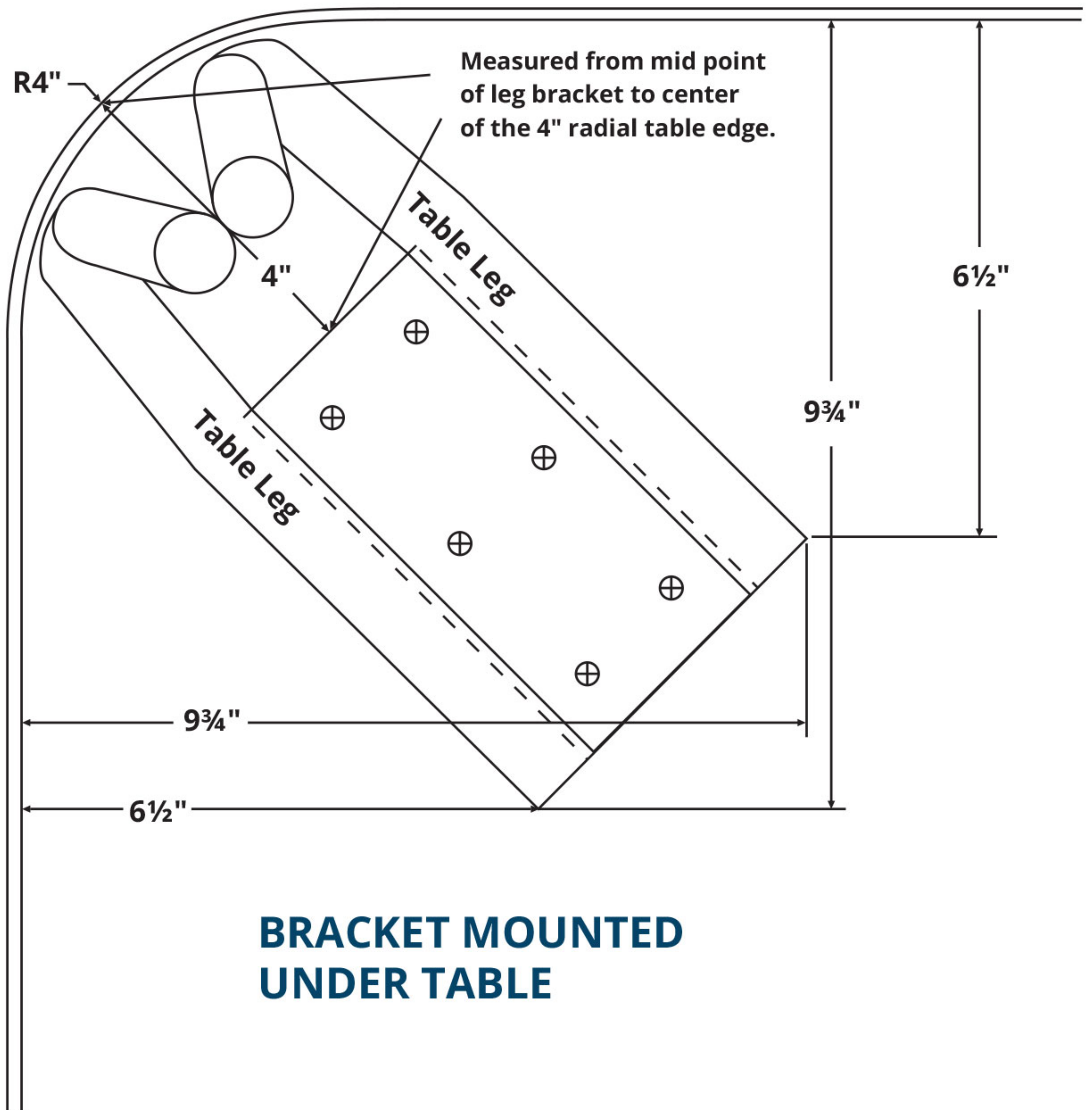


885 LEG BRACKET UNDERSIDE DETAIL

BRACKET DETAIL



Legs are welded 1/8" inset from edge of leg bracket.



BRACKET MOUNTED UNDER TABLE